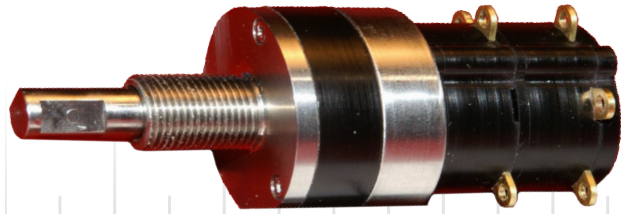


## PRECISION ROTARY SWITCHES MEDIUM TO HIGH CURRENT SERIES



- » Meets or exceeds MIL-DTL-3786 Requirements
- » Custom Features: Push/Pull to Turn
- » Bushing Diameter: 3/8 Inch
- » Shaft Diameter: 1/4 Inch
- » Switch: 3 Amp 28VAC/DC; 10 Amp Continuous
- » 20,000 Cycle Life Minimum
- » Choice of 30°, 36°, 45°, 60°, 90° Indexing
- » Direct Output, With or Without Stops
- » Silver/Silver Alloy Contacts
- » All Military Spec Materials

### Mechanical Specifications:

- » Post panel depth for 1 deck: 1.03" max.
- » Rotational life: 15,000 life cycle minimum
- » Rotational torque: 8-32 in-oz.
- » Stop strength: 15.0 in-lbs. minimum

### Electrical Specifications:

- » Electrical life (under load): 25,000 cycles min.
- » Switching current: 3 A max @ 28 VDC resistive
- » Non-switching (continuous) 10A max @ 28 VDC
- » Contact style: Non-shorting or shorting
- » Contact resistance: 15 mΩ max initial  
60 mΩ max after life
- » Insulation resistance: 1000 Megohms minimum IAW MIL-STD-202, Method 302, Test condition A
- » Dielectric strength: 750 VRMS IAW MIL-STD-202, Method 301 (Shaft and terminals)

### Environmental Specifications:

- » Altitude: 70,000 feet
- » Temperature: -60°C to + 85°C (working) -65°C to + 125°C (storage)
- » Thermal shock: -55°C to +85°C per MIL-STD-202, Method 107, Test condition A
- » Shock: 100 G's, 6 milliseconds IAW MIL-STD-202, Method 213, Test condition I
- » Vibration: 15 G's at 70-2000 Hz; .06" double amplitude at 10 - 70 Hz MIL-STD-202, Method 204, Test condition B
- » Explosion proof: IAW MIL-STD-202, Method 109 with test load 125 mA @ 28 VDC
- » Salt spray: IAW MIL-STD-202, Method 101, Test condition B
- » Sand and Dust: IAW MIL-STD-202, Method 110, Test condition B
- » EMI/RFI Shielding: IAW MIL-DTL-3786 with 2 ohms shaft to ground

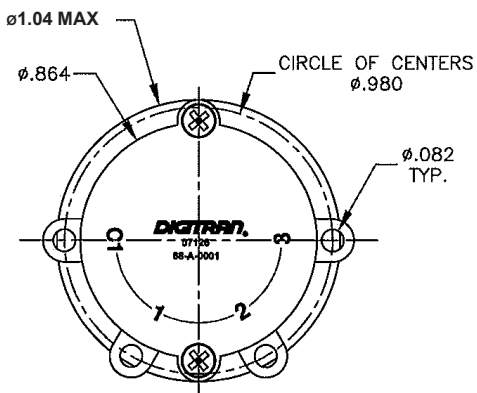
### Material Specifications:

- » Molded parts: Thermoplastic
- » Machined parts: Stainless steel and non-corrosive materials
- » Contact and terminals: Silver and Silver alloy
- » Hardware: Cadmium plated brass (nut and washer)

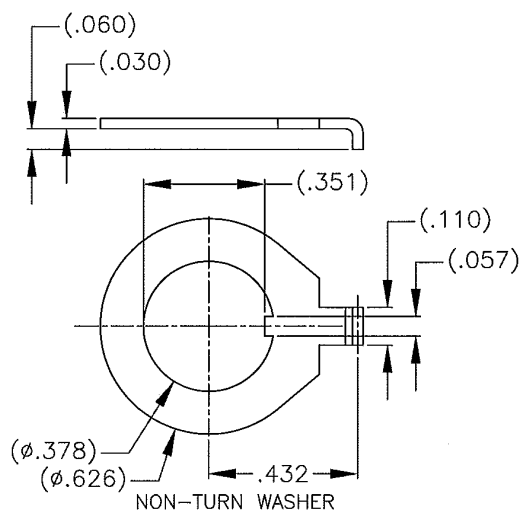
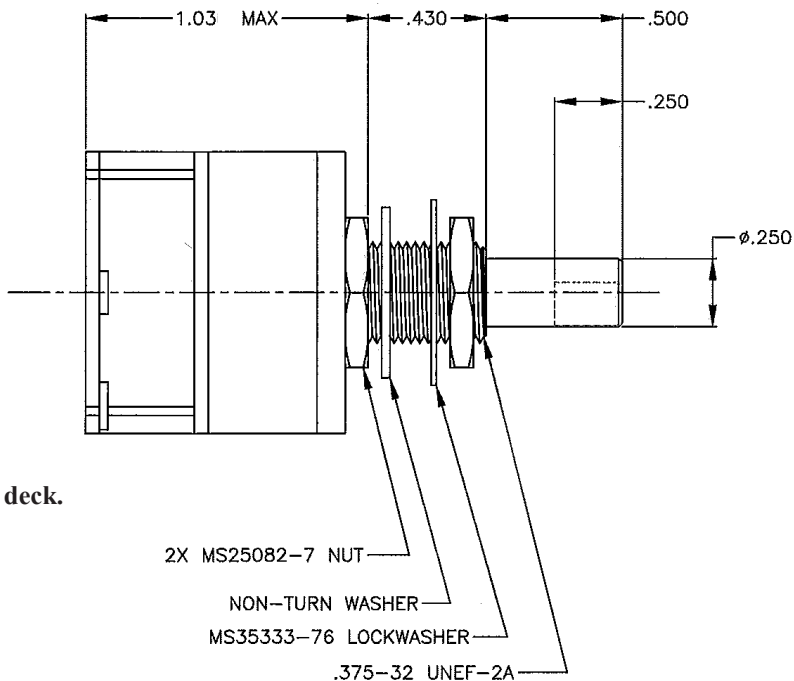
### Applications

- » Avionics Panels
- » Display Systems
- » Portable Equipment
- » Flight Deck Instrumentation
- » Medical Instrumentation
- » Entertainment Equipment
- » High Reliability Controllers
- » Signal Processing Equipment
- » Rugged Instrumentation
- » Cockpit Displays
- » Navigation Equipment
- » Patient Monitors

# DIGITRAN SERIES 68 - MEDIUM TO HIGH CURRENT ROTARY SWITCHES



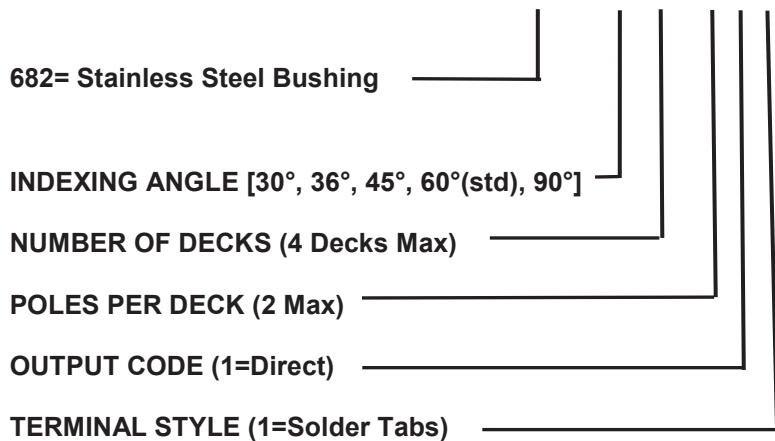
Note: Add 0.5" in length for each additional deck.



Notes:

1. Dimensions: Inches
2. Tolerances: in  $\pm 0.10$
3. Shaft flat is opposite made position
4. Shaft flat: .250" L x .031" W
5. Decks numbered out from panel
6. Hardware included with switch

## ORDERING GUIDE 682 - XX X - X 1 1 - X X XX



**STOP FEATURES:**

With S (stop feature): For this option, add number of active positions for switch. For example, S5 means stops between positions 1 and 5.

With C (continuous): Full turn without stops.

MIL SPEC (M\*=Full MIL-DTL-3786 Compliant, X=Non-Mil) All units, M or X, Have Shaft & Panel Seal.

CONTACT STYLE (N=Non-Shorting, S=Shorting)

§ Customer To Specify Requirements By Notes or Drawing

Questions? Contact Digitran Sales Department at extension 3227, or via email at [sales@digitran-switches.com](mailto:sales@digitran-switches.com)



10410 Trademark Street, Rancho Cucamonga, CA 91730  
[www.digitran-switches.com](http://www.digitran-switches.com) (909) 581-0855 Fax: (909) 581-0854

The information in this document is provided for informational use only and is subject to change.

© 2021 by Digitran. All rights reserved.

68DSUS061121