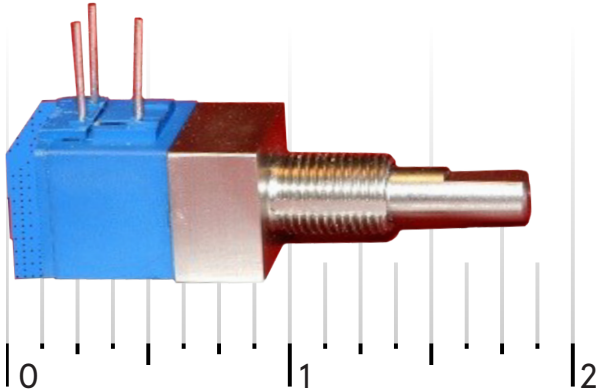


## PRECISION ROTARY POTENTIOMETERS



- » Unique Design Gives The Most Functionality in the Least Space & Weight
- » Can Be Switched On and Off
- » Stainless Steel or Aluminum Bushings
- » Concentric Shafts
- » The Best Choice Where A Custom Rotary Potentiometer is Required
- » Contact Factory for Custom Stops, Detents and Limit Switches
- » Mil Spec Designs Available

### Mechanical Specifications:

- » Post panel depth (1 deck): .750" max.
- » Mechanical travel: 270° standard - custom stops available
- » Detent angle for limit switch: Choice of no detent, 15°, 30°, 90°, or 50% of mechanical travel
- » Mechanical life: 50,000 life cycle minimum
- » Rotational torque: 2 - 16 in-oz.
- » Stop strength: 15.0 in-lbs. minimum

### Electrical Specifications:

- » Electrical travel: 240° standard
- » Load life: 1000 hours
- » Taper type: Linear or Audio
- » Total resistance: Up to 50K $\Omega$
- » Total resistance tolerance: +/- 10%
- » Independent linearity: +/- 5%
- » Power rating at 70°C:
  - Single section assembly:
    - Linear taper: up to 2 watts
    - Audio taper: up to 1 watts
  - Multiple section assembly:
    - Linear taper: up to 1 watt/section
    - Audio taper: up to .5 watt/section
- » Insulation resistance: 1000 Megaohms minimum IAW MIL-STD-202, Method 302, Test condition A (Shaft & terminals)
- » Dielectric strength: 750 VRMS IAW MIL-STD-202, Method 301 (Shaft & terminals)

### Environmental Specifications:

- » Altitude: 70,000 feet
- » Temperature: +1°C to +125°C (working) -65°C to +125°C (storage)
- » Shock (single section): 30 G's +/- 5%
- » Vibration (single section): 15 G's +/- 5%
- » Moisture resistance: IAW MIL-STD-202, Method 103, Test condition B
- » Salt spray: IAW MIL-STD-202, Method 101, Test condition B
- » Sand and Dust: IAW MIL-STD-202, Method 110, Test condition B

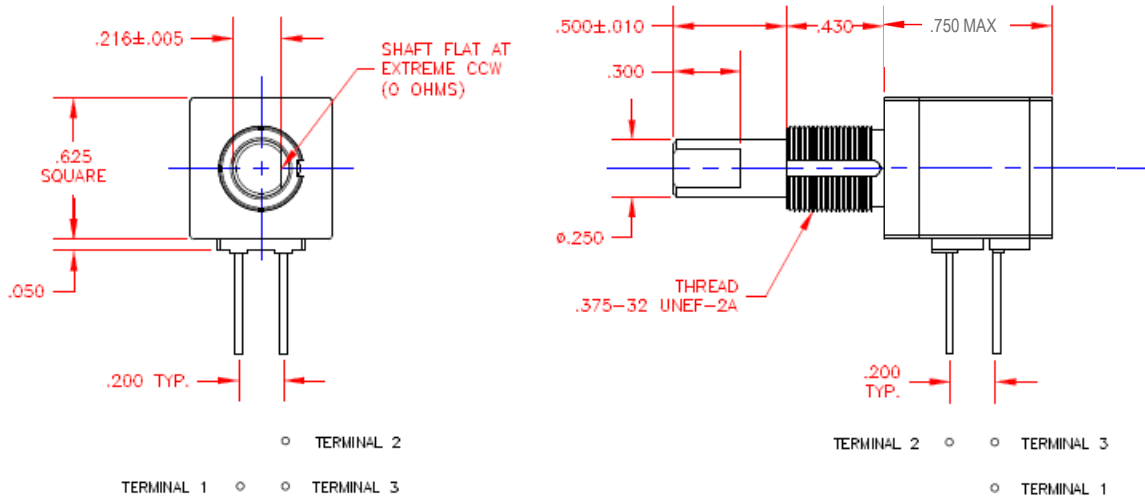
### Material Specifications:

- » Molded parts: Thermoplastic
- » Machined parts: Stainless steel and non-corrosive materials
  - » Contact: Beryllium copper with gold plating
  - » Hardware: Cadmium plated brass (nut and washer)

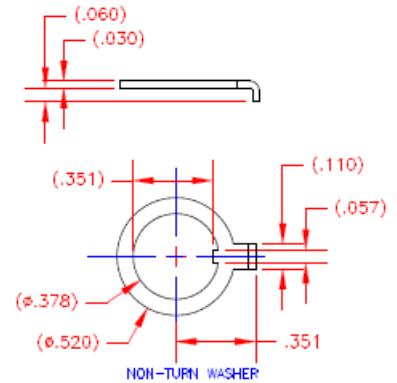
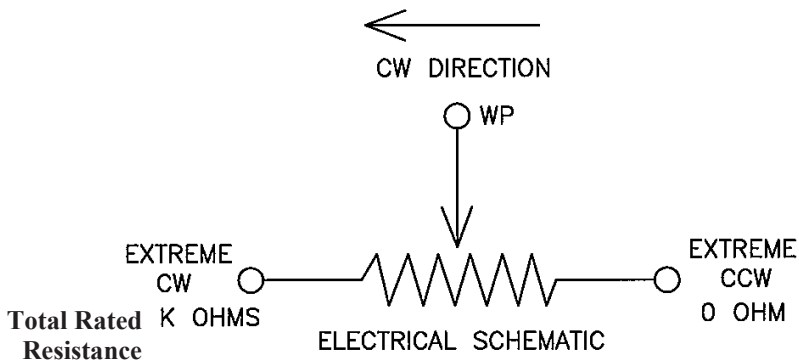
### Applications

- » Avionics Panels
- » Display Systems
- » Portable Equipment
- » Flight Deck Instrumentation
- » Medical Instrumentation
- » Entertainment Equipment
- » High Reliability Controllers
- » Signal Processing Equipment
- » Rugged Instrumentation
- » Cockpit Displays
- » Navigation Equipment
- » Patient Monitors

# DIGITRAN SERIES 41 (LOW PROFILE) ROTARY POTENTIOMETERS

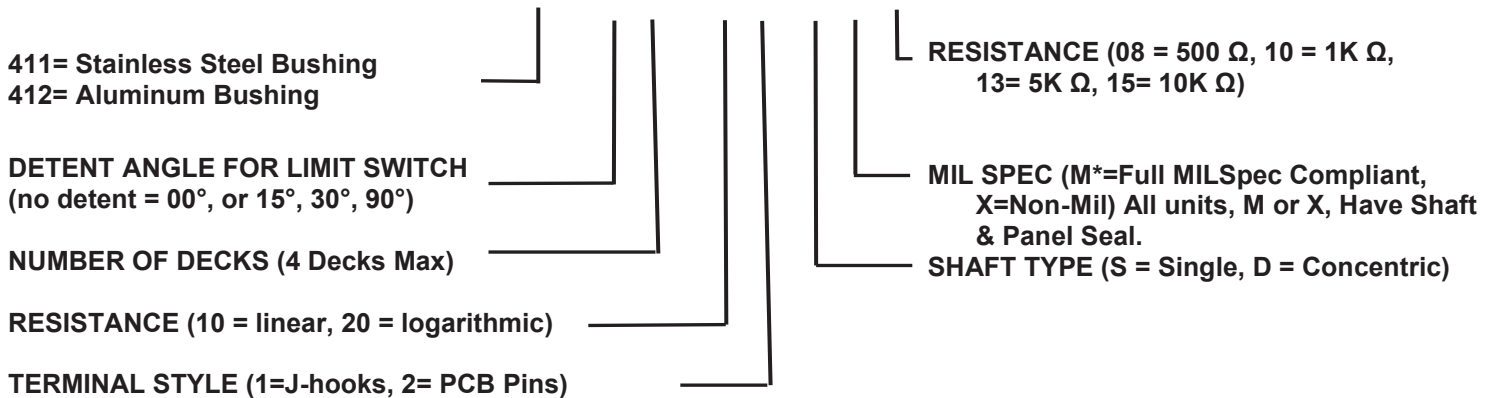


Note: Add 0.5" in length for each additional deck.



## ORDERING GUIDE

**41X - XX X - X X X - X X XX**



Questions? Contact Digitran Sales Department at extension 3227, or via email at [sales@digitran-switches.com](mailto:sales@digitran-switches.com)

**DIGITRAN**<sup>®</sup>

AS9100D Certified

© 2021 by Digitran. All rights reserved.

10410 Trademark Street, Rancho Cucamonga, CA 91730  
[www.digitran-switches.com](http://www.digitran-switches.com) (909) 581-0855 Fax: (909) 581-0854

The information in this document is provided for informational use only and is subject to change.

41DSUS061121