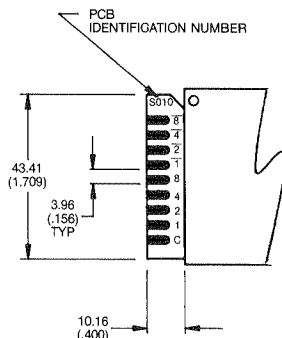
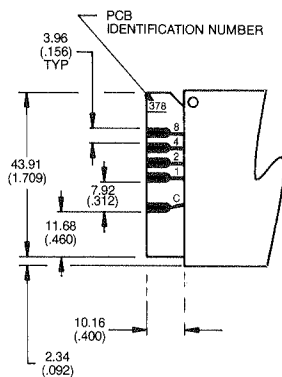


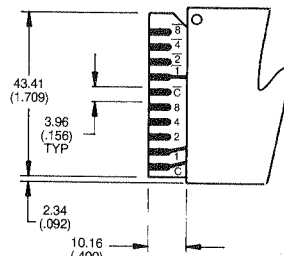
SINGLE POLE DECIMAL



BCD + COMPLEMENT

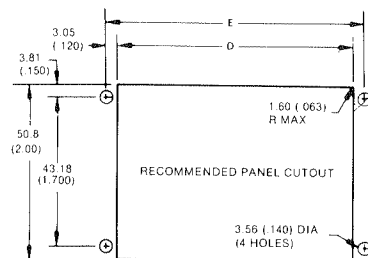
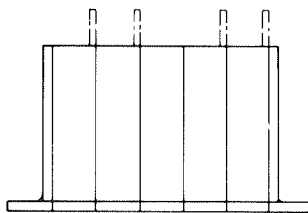
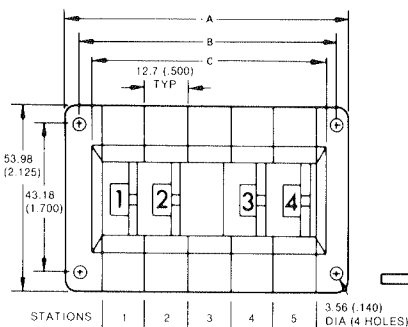
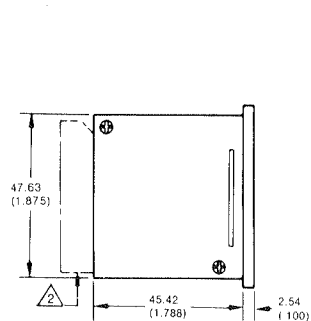


BCD



BCD + COMPLEMENT

TYPICAL TERMINAL AND ELECTRICAL OUTPUT DETAILS SERIES 13000 DIGISWITCH®

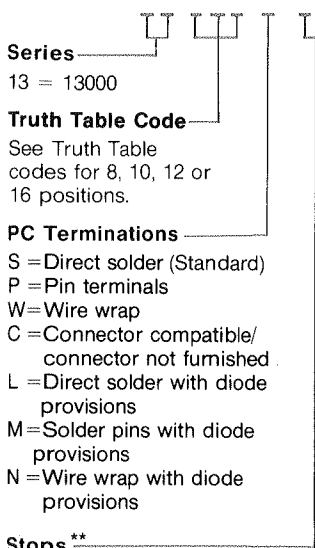


How to order standard switch modules

See page 79 for Assembly Ordering Instructions

All spaces must be filled for a complete part (switch) number

Example: 13/014/S/08/S/F/O



Series

13 = 13000

Truth Table Code

See Truth Table codes for 8, 10, 12 or 16 positions.

PC Terminations

- S = Direct solder (Standard)
- P = Pin terminals
- W = Wire wrap
- C = Connector compatible/connector not furnished
- L = Direct solder with diode provisions
- M = Solder pins with diode provisions
- N = Wire wrap with diode provisions

Stops**

NS = No stops.
For stops show first and last position.
(i.e.: 3 9 dial will now read 3 through 9).

Lighting

O = No lighting available

Color*

F = Matte black case, satin black dial, white characters.

Dial Options

- S = Standard dial characters
- A = 0-9, A-F (16 position only)
- B = -, + repeating
- C = 0, 5 repeating

RECOMMENDED ASSEMBLY PANEL CUTOUT DIMENSIONS

Number of 12.7 (.5") Stations	A	B	C	D ⁴	E ⁴
1	33.0(1.30)	24.9(.98)	17.8(.70)	18.8(.74)	24.9(.98)
2	45.7(1.80)	37.6(1.48)	30.5(1.20)	31.5(1.24)	37.6(1.48)
3	58.4(2.30)	50.3(1.98)	43.2(1.70)	44.2(1.74)	50.3(1.98)
4	71.1(2.80)	63.0(2.48)	55.9(2.20)	56.9(2.24)	63.0(2.48)
5	83.8(3.30)	75.7(2.98)	68.6(2.70)	69.6(2.74)	75.7(2.98)
6	96.5(3.80)	88.4(3.48)	81.3(3.20)	82.3(3.24)	88.4(3.48)
7	109.2(4.30)	101.1(3.98)	94.0(3.70)	95.0(3.74)	101.1(3.98)
8	121.9(4.80)	113.8(4.48)	106.7(4.20)	107.7(4.24)	113.8(4.48)
9	134.6(5.30)	126.5(4.98)	119.4(4.70)	120.4(4.74)	126.5(4.98)
10	147.3(5.80)	139.2(5.48)	132.1(5.20)	133.1(5.24)	139.2(5.48)

NOTES:

1. Drawing tolerances: .X = ±.8 (.03), .XX = ±.25 (.010).
2. For termination details, see drawing of specific module. See truth table for output circuit details. Add 6.35 (.250) to 12.7 (.500) to dimensions A, B, C, D, & E when using respective size spacers.
3. Four No. 4-40 x 7/16" screws with nuts and lockwashers furnished with each assembly of one or more modules with end brackets and assembly studs.
4. Tolerance of D and E dimensions is ±.25 (.010).
5. Prime dimensions are metric.

WINDOW AND CHARACTER DIMENSIONS

Positions	Window Dimensions		Max. character Height	Visual Comparison
	H	W		
8	9.53 (.375)	5.59 (.220)	5.97 (.235)	3
10	9.53 (.375)	5.59 (.220)	5.97 (.235)	3
12	8.51 (.335)	5.59 (.220)	5.79 (.228)	3
16	5.97 (.235)	5.59 (.220)	4.06 (.160)	3

Character heights cannot be increased from those shown. For maximum usable window width, consult factory.

*For nonstandard colors and combinations consult factory.
**For stops on 12 or 16 position switches see modified standard ordering instructions, page 78, or consult factory.

Notes 1 — For nonstandard switch options and features not covered in the how to order chart, see modified ordering instruction section, page 78, or consult factory.